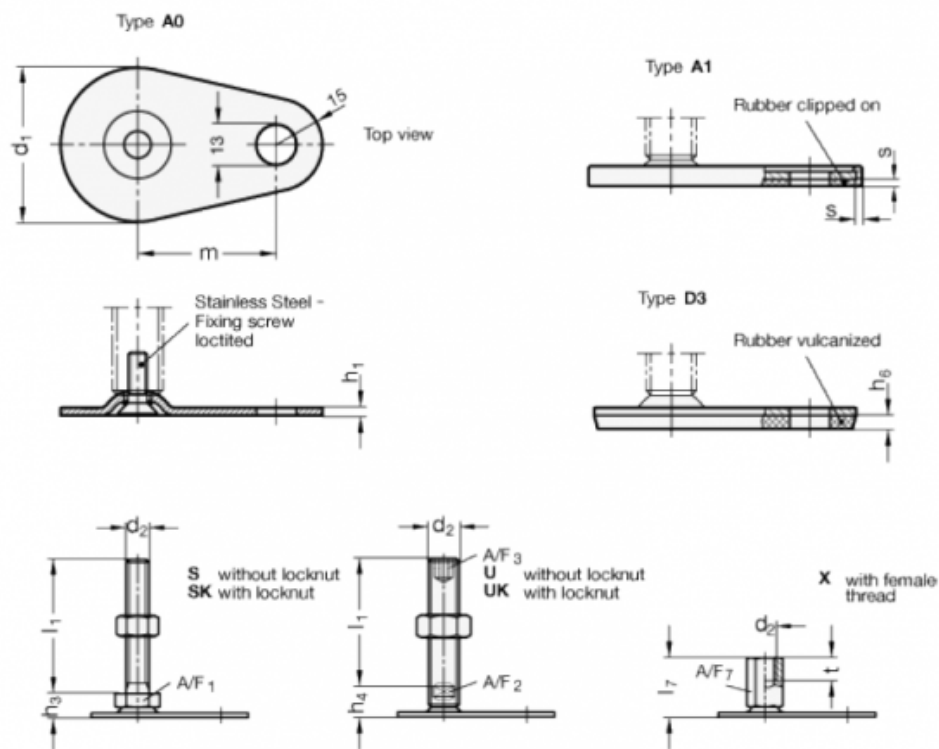


Data Sheet



Article number: 204280M10100A1SK
 Description: E+G levelling foot
 GN 42-80-M10-100-A1-SK
 Note: SK With nut, External hexagon at the bottom

Measures



A/F1 = 17	s = 2
d1 = 80	
d2 = M10	
h1 = 3	
h3 = 12	
h6 =	
l1 = 100	
m = 70	